

Available in:

- Black
- Bronze
- Ham. Bronze
- Clay
- Rust
- Green
- White

26"

26" Round 10 Pk Aluminum Balusters

Sold in packs of 10. 10/case

26" x 3/4" Smooth satin round baluster designed for 36" rail height. Each baluster is individually poly bagged for added protection.

- Item # DP200 - Black
- Item # DP202 - Bronze
- Item # DP207 - Hammered Bronze
- Item # DP204 - Clay
- Item # DP208 - Rust
- Item # DP206 - Green
- Item # DP210 - White

Please use 2.67 balusters per lineal foot for estimating purposes



Available in:

- Text. Black
- Text. Bronze
- Text. Brown
- Text. White

26"

26" Textured Round 10 Pk Aluminum Balusters

Sold in packs of 10. 10/case

26" x 3/4" Textured round baluster designed for a 36" rail height. Each baluster is individually poly bagged for added protection.

- Item # DP200T - Textured Black
- Item # DP202T - Textured Bronze
- Item # DP205T - Textured Brown
- Item # DP210T - Textured White

Please use 2.67 balusters per lineal foot for estimating purposes



Available in:

- Black
- Text. Black
- Bronze
- Ham. Bronze
- Clay
- White

26"

PRO PACK

26" Round 100 Pack Aluminum Balusters

Sold in packs of 100.

26" x 3/4" Round baluster designed for 36" rail height. Balusters are packaged in 100 count contractor packs (No retail box). Each baluster is individually poly bagged for added protection.

Smooth Finish:

- Item # DP390 - Black
- Item # DP392 - Bronze
- Item # DP393 - Hammered Bronze
- Item # DP394 - Clay
- Item # DP400 - White

Textured Finish:

- Item # DP390T - Textured Black

Please use 2.67 balusters per lineal foot for estimating purposes



Available in:

- Black
- Ham. Bronze

29"

PRO PACK

29" Round 100 Pack Aluminum Balusters

Sold in packs of 100.

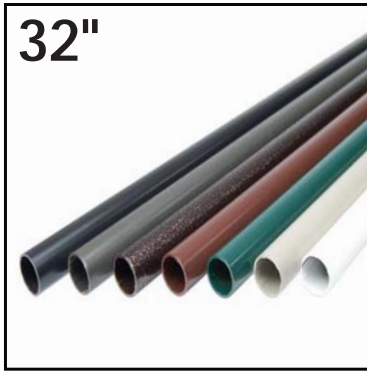
29" x 3/4" Smooth satin round baluster designed for use in many composite rail systems. Balusters are packaged in 100 count contractor packs (No retail box). Each baluster is individually poly bagged for added protection.

- Item # DP244 - Black
- Item # DP245 - Hammered Bronze

Only available in 100 packs.



Please use 2.67 balusters per lineal foot for estimating purposes



Available in:

- Black
- Bronze
- Ham. Bronze
- Clay
- Rust
- Green
- White

32" Round 10 Pk Aluminum Balusters

Sold in packs of 10. 10/case

32" x 3/4" Smooth satin round baluster designed for 42" rail height. Each baluster is individually poly bagged for added protection.

- Item # DP248 - Black
- Item # DP250 - Bronze
- Item # DP255 - Hammered Bronze
- Item # DP252 - Clay
- Item # DP256 - Rust
- Item # DP254 - Green
- Item # DP258 - White

Please use 2.67 balusters per lineal foot for estimating purposes



Available in:

- Text. Black
- Text. Bronze
- Text. Brown
- Text. White

32" Textured Round 10 Pk Aluminum Balusters

Sold in packs of 10. 10/case

32" x 3/4" Textured round baluster designed for a 42" rail height. Each baluster is individually poly bagged for added protection.

- Item # DP248T - Textured Black
- Item # DP250T - Textured Bronze
- Item # DP249T - Textured Brown
- Item # DP258T - Textured White

Please use 2.67 balusters per lineal foot for estimating purposes



Available in:

- Black
- Text. Black
- Bronze
- Ham. Bronze
- White

32" Round 100 Pack Aluminum Balusters

Sold in packs of 100.

32" x 3/4" Round baluster designed for 42" rail height. Balusters are packaged in 100 count contractor packs (No retail box). Each baluster is individually poly bagged for added protection.

Smooth Finish:

- Item # DP416 - Black
- Item # DP418 - Bronze
- Item # DP427 - Hammered Bronze
- Item # DP426 - White

Textured Finish:

- Item # DP416T - Textured Black

PRO PACK

Please use 2.67 balusters per lineal foot for estimating purposes



AAMA 2604 Powder coated balusters. Painted ends eliminate the need for a washered connector. Colors shown are an approximate representation only, please see actual product sample when selecting color



36"

Available in:

- Black
- Bronze
- Ham. Bronze
- Clay
- Rust
- Green
- White

36" Round 10 Pk Aluminum Balusters

Sold in packs of 10. 10/case

36" x 3/4" Smooth satin round baluster. Each baluster is individually poly bagged for added protection.

- Item # DP296 - Black
- Item # DP298 - Bronze
- Item # DP299 - Hammered Bronze
- Item # DP300 - Clay
- Item # DP304 - Rust
- Item # DP302 - Green
- Item # DP306 - White

Please use 2.67 balusters per lineal foot for estimating purposes



36"

Available in:

- Text. Black
- Text. Bronze
- Text. White

36" Textured Round 10 Pk Aluminum Balusters

Sold in packs of 10. 10/case

36" x 3/4" Textured round baluster. Each baluster is individually poly bagged for added protection.

- Item # DP296T - Textured Black
- Item # DP298T - Textured Bronze
- Item # DP306T - Textured White

Please use 2.67 balusters per lineal foot for estimating purposes



Available in:

- Black

Baluster Connector for Round or Square

Sold in poly bag of 20. 50/case

For 3/4" round or square balusters. Features a tall hidden connector that assures positive engagement for a secure connection. Includes 1-1/2" stainless steel screws.

- Item # DP374 - Hidden Connector



See next page for contractor pro packs, see page 12 for baluster connector layout template



Available in:

- Black
- Bronze
- Ham. Bronze
- Clay
- Rust
- Green
- White

Round Baluster Stair Connector

Sold in poly bag of 20. 40/case

For 3/4" round balusters being used on stairs with 33-37 degree angle. Features a tall hidden connector that assures positive engagement for a secure connection. Includes 1-1/2" stainless steel screws.

- Item # DP380 - Black
- Item # DP380BZ - Bronze
- Item # DP380HB - Hammered Bronze
- Item # DP380CL - Clay
- Item # DP380RU - Rust
- Item # DP380GR - Green
- Item # DP380WH - White





Available in:

Black

Bronze

White



Architectural Round Baluster Connector

Sold in poly bag of 20. 30/case

Level connector for 3/4" round balusters. Features a decorative architectural design. Measures 1-3/8" in diameter. Includes 1-1/2" stainless steel screws.

Item # DP140 - Black
Item # DP144 - Bronze
Item # DP142 - White



Available in:

Black

Bronze

White



Architectural Stair Round Baluster Connector

Sold in poly bag of 20. 10/case

One piece stair connector for 3/4" round balusters being used on stairs with 33-37 degree angle. Features a decorative architectural design. Measures 1-5/8" L x 1-3/8" W. Includes 1-1/2" stainless steel screws.

Item # DP146 - Black
Item # DP150 - Bronze
Item # DP148 - White



Available in:

Black

Bronze

White



5° Round Baluster Connector for Ramps

Sold in poly bag of 20. 40/case

Five degree connector for 3/4" round balusters in a ramp application. Features a tall connector that assures positive engagement for a secure connection. Includes 1-1/2" stainless steel screws.

Item # DP770 - Black
Item # DP772 - Bronze
Item # DP771 - White



Universal Baluster Connector Pro Pack - 500 ct.

Sold in Pails.

Fits most 3/4" diameter balusters in the market today. Contractor pail contains 500 connectors and 1-1/2" #2 square drive stainless steel screws. Eliminates packaging hassles for the professional deck builder and enables them to do two - three average decks per pail. Screws bagged separately for convenience.

Item # ADIPROPACK500BP

Item # ADIPROPACK500 - Same as round baluster connector above, but with attached washer. For use with balusters when ends are not powder coated.





Available in:

Black

Bronze

Cedar

Gray



2" x 4" Railing Connector

Sold in packs of 2. 25/case

2" x 4" Straight rail connector for attaching upper and lower rail to post. 1" deep saddle provides great strength and holding power. Includes color matched stainless steel screws.

Item # DP375 - Black
Item # DP375BZ - Bronze
Item # DP375C - Cedar
Item # DP375G - Gray



Available in:

Black

Bronze

Cedar

Gray



2" x 4" 45° Railing Connector

Sold in packs of 2. 25/case

2" x 4" 45° Rail connector with design, style and flair for attaching upper and lower rail to post at a typical 45° angle. 1" deep saddle provides great strength and holding power. Includes color matched stainless steel screws. (Requires slight trimming of 2" x 4" lineal)

Item # DP389 - Black
Item # DP389BZ - Bronze
Item # DP389C - Cedar
Item # DP389G - Gray



Available in:

Black

Bronze

Cedar

Gray



2" x 4" Stair Railing Connector

Sold in packs of 2. 20/case

2" x 4" Stair rail connector with design, style and flair for attaching upper and lower rail to post at a typical stair angle. 1" deep saddle provides great strength and holding power. Includes color matched stainless steel screws.

Item # DP388 - Black
Item # DP388BZ - Bronze
Item # DP388C - Cedar
Item # DP388G - Gray



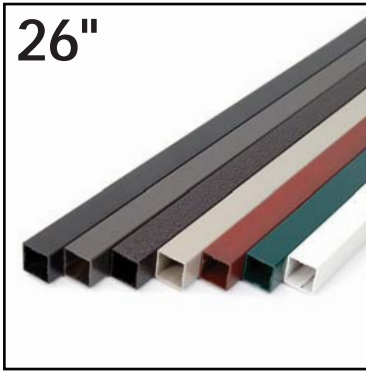
Universal Baluster Spacing Template

Sold in any quantity.

Spaces balusters at 4-5/8" **on center** to meet railing code. Allows for even spacing of round, square and facemount balusters.

Item # BALUSTERTEMP - 24" Length PVC Template





- Available in:
- Black
 - Bronze
 - Ham. Bronze
 - Clay
 - Rust
 - Green
 - White

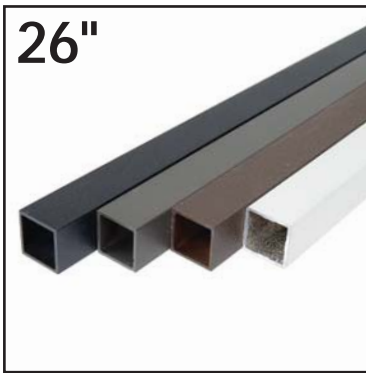
26" Square 10 Pk Aluminum Balusters

Sold in packs of 10. 10/case

26" x 3/4" Smooth satin square baluster designed for 36" rail height. Each baluster is individually poly bagged for added protection.

- Item # DP212 - Black
- Item # DP214 - Bronze
- Item # DP219 - Hammered Bronze
- Item # DP216 - Clay
- Item # DP220 - Rust
- Item # DP218 - Green
- Item # DP222 - White

Please use 2.67 balusters per lineal foot for estimating purposes



- Available in:
- Text. Black
 - Text. Bronze
 - Text. Brown
 - Text. White

26" Textured Square 10 Pk Aluminum Balusters

Sold in packs of 10. 10/case

26" x 3/4" Textured square baluster designed for a 36" rail height. Each baluster is individually poly bagged for added protection.

- Item # DP212T - Textured Black
- Item # DP214T - Textured Bronze
- Item # DP213T - Textured Brown
- Item # DP222T - Textured White

Please use 2.67 balusters per lineal foot for estimating purposes



- Available in:
- Black
 - Bronze
 - Ham. Bronze

26" Square 100 Pack Aluminum Balusters

Sold in packs of 100.

26" x 3/4" Smooth satin square baluster designed for 36" rail height. Balusters are packaged in 100 count contractor packs (No retail box). Each baluster is individually poly bagged for added protection.

- Item # DP402 - Black
- Item # DP404 - Bronze
- Item # DP403 - Hammered Bronze

Please use 2.67 balusters per lineal foot for estimating purposes



- Available in:
- Black
 - Ham. Bronze

29" Square 100 Pack Aluminum Balusters

Sold in packs of 100.

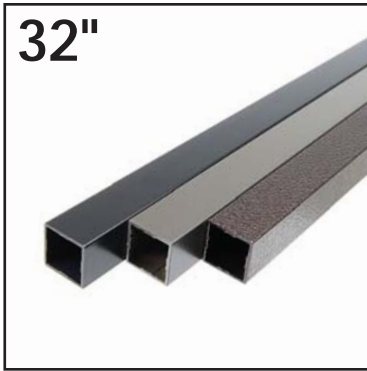
29" x 3/4" Smooth satin square baluster designed for use in many composite rail systems. Balusters are packaged in 100 count contractor packs (No retail box). Each baluster is individually poly bagged for added protection.

- Item # DP246 - Black
- Item # DP247 - Hammered Bronze

Only available in 100 packs.

Please use 2.67 balusters per lineal foot for estimating purposes





32"

Available in:

- Black
- Bronze
- Ham. Bronze

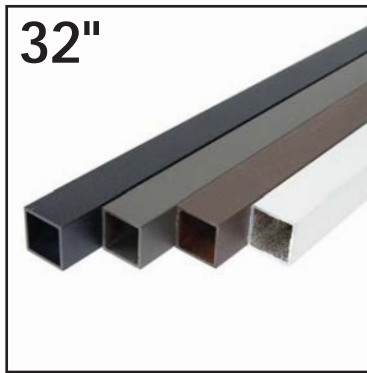
32" Square 10 Pk Aluminum Balusters

Sold in packs of 10. 10/case

32" x 3/4" Smooth satin square baluster designed for 42" rail height. Each baluster is individually poly bagged for added protection.

- Item # DP260 - Black
- Item # DP262 - Bronze
- Item # DP267 - Hammered Bronze

Please use 2.67 balusters per lineal foot for estimating purposes



32"

Available in:

- Text. Black
- Text. Bronze
- Text. Brown
- Text. White

32" Textured Square 10 Pk Aluminum Balusters

Sold in packs of 10. 10/case

32" x 3/4" Textured square baluster designed for a 42" rail height. Each baluster is individually poly bagged for added protection.

- Item # DP260T - Textured Black
- Item # DP262T - Textured Bronze
- Item # DP263T - Textured Brown
- Item # DP261T - Textured White

Please use 2.67 balusters per lineal foot for estimating purposes



32"

Available in:

- Black
- Bronze
- Ham. Bronze

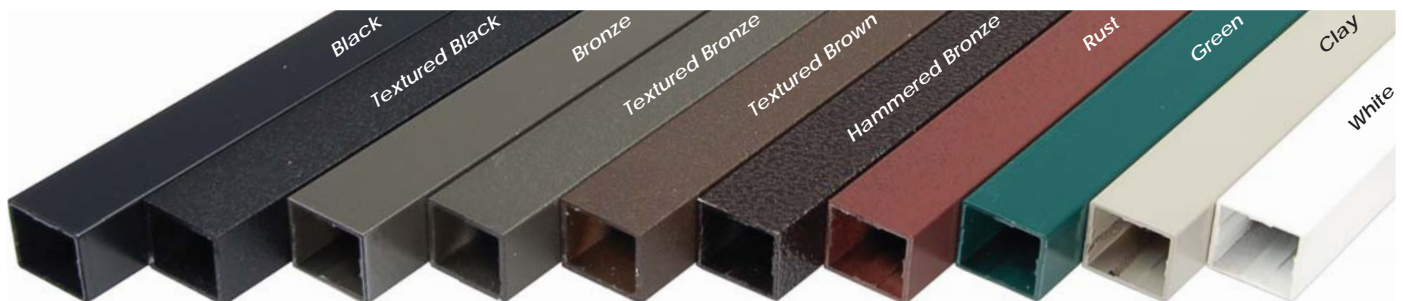
32" Square 100 Pack Aluminum Balusters

Sold in packs of 100.

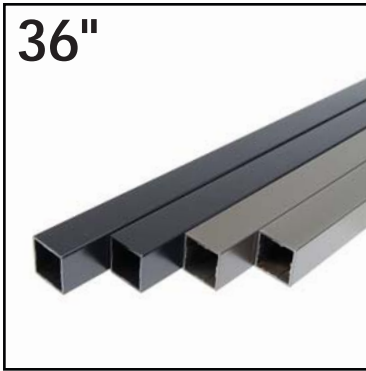
32" x 3/4" Smooth satin square baluster designed for 42" rail height. Balusters are packaged in 100 count contractor packs (No retail box). Each baluster is individually poly bagged for added protection.

- Item # DP428 - Black
- Item # DP430 - Bronze
- Item # DP432 - Hammered Bronze

Please use 2.67 balusters per lineal foot for estimating purposes



AAMA 2604 Powder coated balusters. Painted ends eliminate the need for a washered connector. Colors shown are an approximate representation only, please see actual product sample when selecting color



Available in:
Black
Bronze

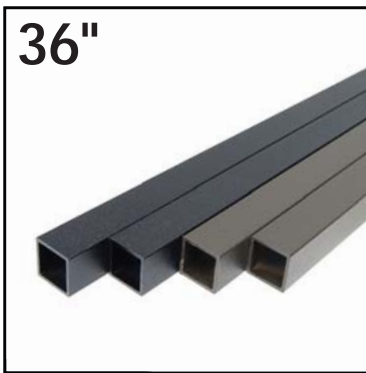
36" Square 10 Pk Aluminum Balusters

Sold in packs of 10. 10/case

36" x 3/4" Smooth satin square baluster. Each baluster is individually poly bagged for added protection.

Item # DP308 - Black
Item # DP310 - Bronze

Please use 2.67 balusters per lineal foot for estimating purposes



Available in:
Text. Black
Text. Bronze

36" Textured Square 10 Pk Aluminum Balusters

Sold in packs of 10. 10/case

36" x 3/4" Textured square baluster. Each baluster is individually poly bagged for added protection.

Item # DP308T - Textured Black
Item # DP310T - Textured Bronze

Please use 2.67 balusters per lineal foot for estimating purposes



Available in:
Black

Baluster Connector for Square or Round

Sold in poly bag of 20. 50/case

For 3/4" square or round balusters. Features a tall hidden connector that assures positive engagement for a secure connection. Includes 1-1/2" stainless steel screws.

Item # DP374 - Hidden Connector



See page 11 for contractor pro packs, see page 17 for baluster connector layout template



Available in:
Black

Square Baluster Connector

Sold in poly bag of 20. 50/case

For 3/4" square balusters. Features a tall connector that assures positive engagement for a secure connection. Also has anti-rotation spike on bottom of connector. Includes 1-1/2" stainless steel screws.

Item # DP376 - Black



See page 17 for connector layout template for connector layout





Available in:

- Black
- Bronze
- Ham. Bronze
- Clay
- Rust
- Green
- White



Square Baluster Stair Connector

Sold in poly bag of 20. 35/case

For 3/4" square balusters being used on stairs with 33-37 degree angle. Features a tall connector that assures positive engagement for a secure connection. Includes 1-1/2" stainless steel screws.

- Item # DP377 - Black
- Item # DP377BZ - Bronze
- Item # DP377HB - Hammered Bronze
- Item # DP377CL - Clay
- Item # DP377RU - Rust
- Item # DP377GR - Green
- Item # DP377WH - White



Available in:

- Black
- Bronze
- White



Architectural Square Baluster Connector

Sold in poly bag of 20. 20/case

Level connector for 3/4" square balusters. Features a decorative architectural design. Also has anti-rotation spike on bottom of connector. Measures 1-3/8"W. Includes 1-1/2" stainless steel screws.

- Item # DP152 - Black
- Item # DP156 - Bronze
- Item # DP154 - White



Available in:

- Black
- Bronze
- White



Architectural Stair Square Baluster Connector

Sold in poly bag of 20. 10/case

One piece stair connector for 3/4" square balusters being used on stairs with 33-37 degree angle. Features a decorative architectural design. Measures 1-5/8"L x 1-3/8"W. Includes 1-1/2" stainless steel screws.

- Item # DP158 - Black
- Item # DP162 - Bronze
- Item # DP160 - White



Available in:

- Black
- Bronze
- White



5° Square Baluster Connector for Ramps

Sold in poly bag of 20. 40/case

Five degree connector for 3/4" square balusters in a ramp application. Features a tall connector that assures positive engagement for a secure connection. Includes 1-1/2" stainless steel screws.

- Item # DP773 - Black
- Item # DP775 - Bronze
- Item # DP774 - White



Available in:

Black

Bronze

Cedar

Gray

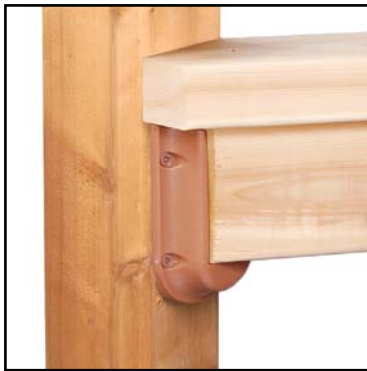


2" x 4" Railing Connector

Sold in packs of 2. 25/case

2" x 4" Straight rail connector for attaching upper and lower rail to post. 1" deep saddle provides great strength and holding power. Includes color matched stainless steel screws.

Item # DP375 - Black
Item # DP375BZ - Bronze
Item # DP375C - Cedar
Item # DP375G - Gray



Available in:

Black

Bronze

Cedar

Gray



2" x 4" 45° Railing Connector

Sold in packs of 2. 25/case

2" x 4" 45° Rail connector with design, style and flair for attaching upper and lower rail to post at a typical 45° angle. 1" deep saddle provides great strength and holding power. Includes color matched stainless steel screws. (Requires slight trimming of 2" x 4" lineal)

Item # DP389 - Black
Item # DP389BZ - Bronze
Item # DP389C - Cedar
Item # DP389G - Gray



Available in:

Black

Bronze

Cedar

Gray



2" x 4" Stair Railing Connector

Sold in packs of 2. 20/case

2" x 4" Stair rail connector with design, style and flair for attaching upper and lower rail to post at a typical stair angle. 1" deep saddle provides great strength and holding power. Includes color matched stainless steel screws.

Item # DP388 - Black
Item # DP388BZ - Bronze
Item # DP388C - Cedar
Item # DP388G - Gray



Universal Baluster Spacing Template

Sold in any quantity.

Spaces balusters at 4-5/8" **on center** to meet railing code. Allows for even spacing of round, square and facemount balusters.

Item # BALUSTERTEMP - 24" Length PVC Template





Available in:
 Black
 Textured Black
 Bronze
 Textured Bronze
 Ham. Bronze



32" Belly (Baroque) Style Baluster 5 Pack

Sold in packs of 5. 10/case

32" Belly style baluster measures 3/16" x 1" x 32-1/4." Each package contains color matched stainless steel screws.

Smooth Finish:

- Item # DP346 - Black
- Item # DP348 - Bronze
- Item # DP350 - Hammered Bronze

Textured Finish:

- Item # DP346T - Text. Black
- Item # DP348T - Text. Bronze

Please use 2.5 balusters per lineal foot for estimating purposes



Available in:
 Black
 Textured Black
 Bronze
 Textured Bronze
 Ham. Bronze



32" Belly (Baroque) Style Baluster 50 Pack

Sold in packs of 50.

32" Belly style baluster measures 3/16" x 1" x 32-1/4." Balusters are packaged in 50 count contractor packs (No retail box). Each package contains color matched stainless steel screws.

Smooth Finish:

- Item # DP347 - Black
- Item # DP349 - Bronze
- Item # DP351 - Hammered Bronze

Textured Finish:

- Item # DP347T - Text. Black
- Item # DP349T - Text. Bronze

Please use 2.5 balusters per lineal foot for estimating purposes



Available in:
 Black
 Textured Black
 Bronze
 Textured Bronze
 Ham. Bronze



32" Bow (Arc) Style Baluster 5 Pack

Sold in packs of 5. 10/case

32" Bow style baluster measures 3/16" x 1" x 32-1/4." Each package contains color matched stainless steel screws.

Smooth Finish:

- Item # DP358 - Black
- Item # DP360 - Bronze
- Item # DP362 - Hammered Bronze

Textured Finish:

- Item # DP358T - Text. Black
- Item # DP360T - Text. Bronze

Please use 2.5 balusters per lineal foot for estimating purposes



Available in:
 Black
 Textured Black
 Bronze
 Textured Bronze
 Ham. Bronze



32" Bow (Arc) Style Baluster 50 Pack

Sold in packs of 50.

32" Bow style baluster measures 3/16" x 1" x 32-1/4." Balusters are packaged in 50 count contractor packs (No retail box). Each package contains color matched stainless steel screws.

Smooth Finish:

- Item # DP359 - Black
- Item # DP361 - Bronze
- Item # DP363 - Hammered Bronze

Textured Finish:

- Item # DP359T - Text. Black
- Item # DP361T - Text. Bronze

Please use 2.5 balusters per lineal foot for estimating purposes



Available in:
 Black
 Textured Black
 Bronze
 Textured Bronze
 Ham. Bronze



32" Face Mount Baluster 10 Pack (Traditional)

Sold in packs of 10. 10/case

Face mount rectangular baluster measures 1/2" x 1" x 32-1/4". Each package contains color matched stainless steel screws and plastic end caps.

Smooth Finish:

- Item # DP464 - Black
- Item # DP466 - Bronze
- Item # DP468 - Hammered Bronze

Textured Finish:

- Item # DP464T - Text. Black
- Item # DP466T - Text. Bronze

Please use 2.5 balusters per lineal foot for estimating purposes



Available in:
 Black
 Textured Black
 Bronze
 Textured Bronze
 Ham. Bronze



32" Face Mount Baluster - 100 Pack (Traditional)

Sold in packs of 100.

Face mount balusters are packaged in 100 count contractor packs (No retail box). Each package contains color matched stainless steel screws and plastic end caps.

Smooth Finish:

- Item # DP465 - Black
- Item # DP467 - Bronze
- Item # DP469 - Hammered Bronze

Textured Finish:

- Item # DP465T - Text. Black
- Item # DP467T - Text. Bronze

Please use 2.5 balusters per lineal foot for estimating purposes



Available in:
 Black
 Bronze
 Ham. Bronze



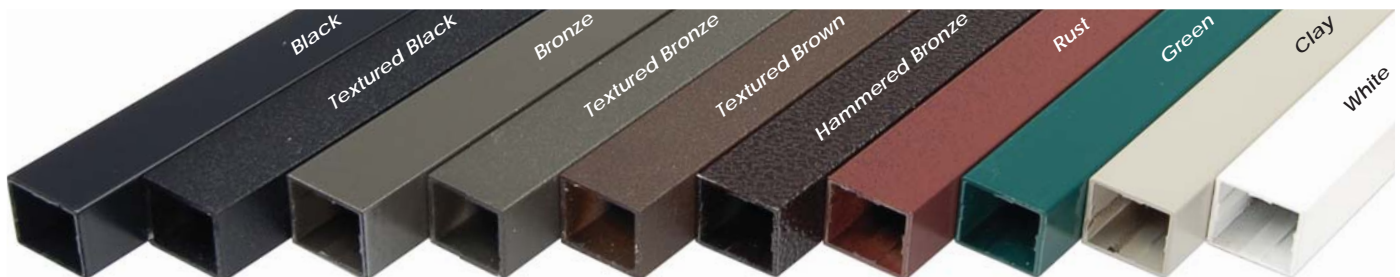
38" Face Mount Baluster 10 Pack (Traditional)

Sold in packs of 10. 10/case

Face mount rectangular baluster measures 1/2" x 1" x 38-1/4". Each package contains color matched stainless steel screws and plastic end caps.

- Item # DP332 - Black
- Item # DP334 - Bronze
- Item # DP336 - Hammered Bronze

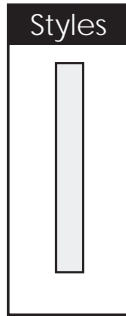
Please use 2.5 balusters per lineal foot for estimating purposes



AAMA 2604 Powder coated balusters. Painted ends eliminate the need for a washered connector. Colors shown are an approximate representation only, please see actual product sample when selecting color



Available in:
 Clear



26" & 32" Glass Balusters 5 Pack

Sold in packs of 5. 3/case

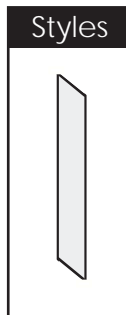
Tempered glass measures 5/16" thick x 4" wide X 26" or 32" long, will work for many different rail heights. **Requires glass rail connector shown below. Sold separately.**

Item # DP370 - 26" length
 Item # DP372 - 32" length

Please use 1.5 balusters per lineal foot for estimating purposes



Available in:
 Clear



26" & 32" Stair Glass Balusters 5 Pack

Sold in packs of 5. 3/case

Tempered glass for stair measures 5/16" thick x 4" wide x 25-1/2", or 32-1/4" long, will work for stair angles from 34 - 36 degrees. **Requires glass stair rail connector shown below. Sold separately.**

Item # DP382 - 25-1/2" length
 Item # DP384 - 32-1/4" length

Please use 1.5 balusters per lineal foot for estimating purposes



Available in:
 Black
 Bronze
 White



Straight Glass Baluster Connector

Sold in packs of 2. 50/case

Glass baluster connector featuring hidden internal fasteners. Connectors increase overall baluster height by 3/4". Includes 1-1/2" stainless steel screws.

Item # DP381 - Black
 Item # DP381BZ - Bronze
 Item # DP381WH - White



Available in:
 Black
 Bronze
 White



Stair Glass Baluster Connector

Sold in packs of 2. 50/case

Glass baluster connector featuring hidden internal fasteners. Connectors increase overall baluster height by 3/4" and can be used with glass stair baluster installations. Includes 1-1/2" stainless steel screws. Compatible with common stair angles from 34-36 degrees.

Item # DP387 - Black
 Item # DP387BZ - Bronze
 Item # DP387WH - White





Available in:

Black

Bronze

Cedar

Gray

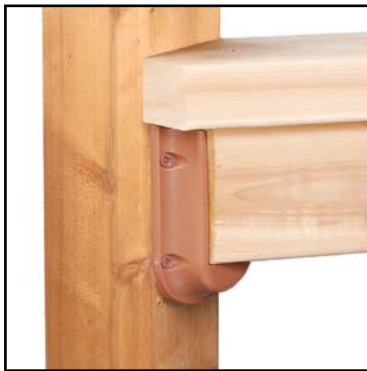


2" x 4" Railing Connector

Sold in packs of 2. 25/case

2" x 4" Straight rail connector for attaching upper and lower rail to post. 1" deep saddle provides great strength and holding power. Includes color matched stainless steel screws.

Item # DP375 - Black
Item # DP375BZ - Bronze
Item # DP375C - Cedar
Item # DP375G - Gray



Available in:

Black

Bronze

Cedar

Gray



2" x 4" 45° Railing Connector

Sold in packs of 2. 25/case

2" x 4" 45° Rail connector with design, style and flair for attaching upper and lower rail to post at a typical 45° angle. 1" deep saddle provides great strength and holding power. Includes color matched stainless steel screws. (Requires slight trimming of 2" x 4" lineal)

Item # DP389 - Black
Item # DP389BZ - Bronze
Item # DP389C - Cedar
Item # DP389G - Gray



Available in:

Black

Bronze

Cedar

Gray



2" x 4" Stair Railing Connector

Sold in packs of 2. 20/case

2" x 4" Stair rail connector with design, style and flair for attaching upper and lower rail to post at a typical stair angle. 1" deep saddle provides great strength and holding power. Includes color matched stainless steel screws.

Item # DP388 - Black
Item # DP388BZ - Bronze
Item # DP388C - Cedar
Item # DP388G - Gray



Universal Baluster Spacing Template

Sold in any quantity.

Spaces balusters at 4-5/8" **on center** to meet railing code. Allows for even spacing of round, square and face mount balusters.

Item # BALUSTERTEMP - 24" Length PVC Template





Available in:
Black

Aluminum Round Basket

Sold in any quantity. 24/case

Baskets designed to slide over round balusters and lock in place with allen set screws (Included). Measures 2-1/2"W X 4-1/2"H.

Item # DP500 - Black



Available in:
Black

Solid Aluminum Round Collar

Sold in any quantity. 25/case

Collars designed to slide over round balusters and lock in place with allen set screws (Included). Measures 1-5/8"W X 1-7/8"H.

Item # DP528 - Black



Available in:
Black

Aluminum Square Basket

Sold in any quantity. 24/case

Baskets designed to slide over square balusters and lock in place with allen set screw (Included). Measures 2-3/4"W X 4-5/8"H.

Item # DP514 - Black



Available in:
Black

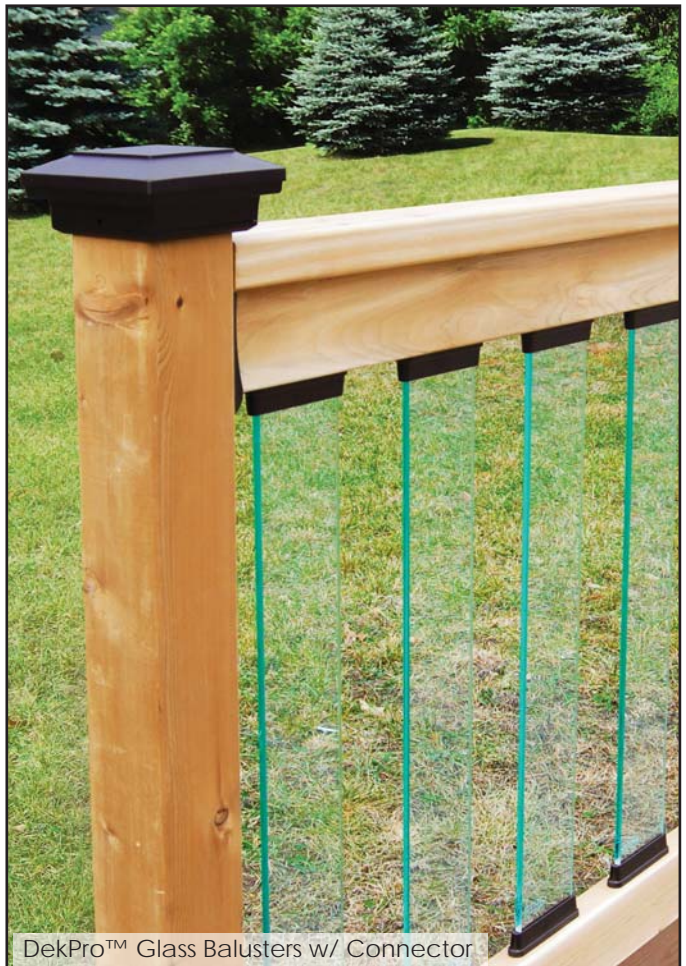
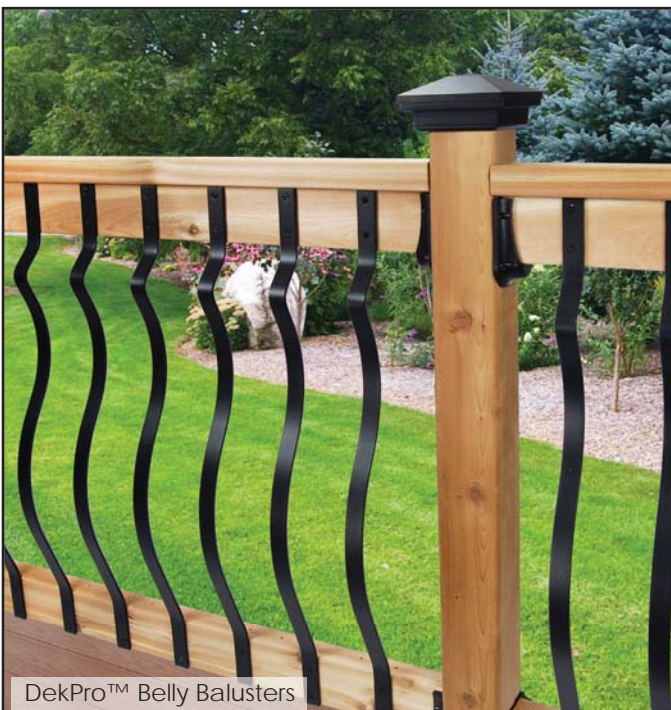
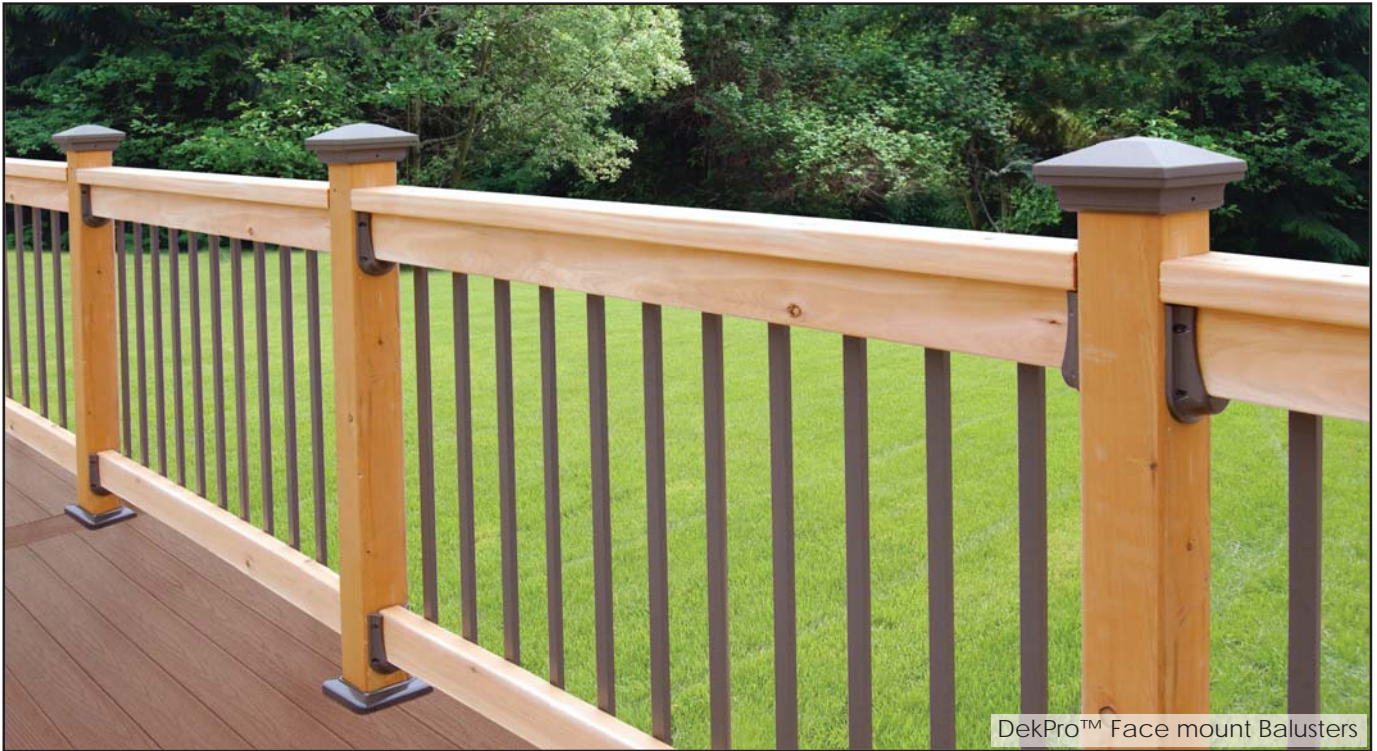
Solid Aluminum Square Collar

Sold in any quantity. 25/case

Collars designed to slide over square balusters and lock in place with allen set screw (Included). Measures 1-5/8"W X 1-7/8"H.

Item # DP556 - Black







ACTUAL FREIGHT CHARGES APPLY TO ALL FORTRESSTM BALUSTER ORDERS



26"

Available in:

- Black Sand
- Ant. Bronze
- Gloss Black
- Oil Rub. Bronze

Styles



26" Vintage Iron Round Baluster

Sold in packs of 10. 8/case

26" x 3/4" Vintage series round baluster designed for a 36" rail height. Install with EZ mounts or vintage round shoes.

- Item # 54126008 - Black Sand (Textured)
- Item # 660006 - Antique Bronze
- Item # 660000 - Gloss Black
- Item # 660002 - Oil Rubbed Bronze

Please use 2.67 balusters per lineal foot for estimating purposes



26"

Available in:

- Black Sand
- Ant. Bronze
- Gloss Black
- Oil Rub. Bronze

Styles



26" Vintage Iron Round 1 Basket Baluster

Sold in any quantity. 10/pack

26" x 3/4" Vintage series round baluster with 1 basket designed for a 36" rail height. Install with EZ mounts or vintage round shoes.

- Item # 54126118 - Black Sand (Textured)
- Item # 660016 - Antique Bronze
- Item # 660010 - Gloss Black
- Item # 660012 - Oil Rubbed Bronze

Please use 2.67 balusters per lineal foot for estimating purposes



26"

Available in:

- Black Sand
- Ant. Bronze
- Gloss Black
- Oil Rub. Bronze

Styles



26" Vintage Iron Round 2 Basket Baluster

Sold in any quantity. 10/pack

26" x 3/4" Vintage series round baluster with 2 baskets designed for a 36" rail height. Install with EZ mounts or vintage round shoes.

- Item # 54126128 - Black Sand (Textured)
- Item # 660026 - Antique Bronze
- Item # 660020 - Gloss Black
- Item # 660022 - Oil Rubbed Bronze

Please use 2.67 balusters per lineal foot for estimating purposes



Available in:

- Black

Styles



EZ Mounts

Sold in bags of 20. 50/case

EZ Mounts are for installation of vintage series round balusters. Screws included.

- Item # 640055 - Standard
- Item # 640056 - Stairs





ACTUAL FREIGHT CHARGES APPLY TO ALL FORTRESSTM BALUSTER ORDERS



32"

Available in:

- Black Sand
- Ant. Bronze
- Gloss Black
- Oil Rub. Bronze

Styles



32" Vintage Iron Round Baluster

Sold in packs of 10. 8/case

32" x 3/4" Vintage series round baluster designed for a 42" rail height. Install with EZ mounts or vintage round shoes.

- Item # 54132008 - Black Sand (Textured)
- Item # 660056 - Antique Bronze
- Item # 660050 - Gloss Black
- Item # 660052 - Oil Rubbed Bronze

Please use 2.67 balusters per lineal foot for estimating purposes

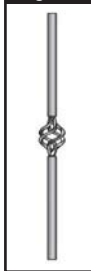


32"

Available in:

- Black Sand
- Ant. Bronze
- Gloss Black
- Oil Rub. Bronze

Styles



32" Vintage Iron Round 1 Basket Baluster

Sold in any quantity. 10/pack

32" x 3/4" Vintage series round baluster with 1 basket designed for a 42" rail height. Install with EZ mounts or vintage round shoes.

- Item # 54132138 - Black Sand (Textured)
- Item # 660066 - Antique Bronze
- Item # 660060 - Gloss Black
- Item # 660062 - Oil Rubbed Bronze

Please use 2.67 balusters per lineal foot for estimating purposes

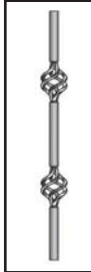


32"

Available in:

- Black Sand
- Ant. Bronze
- Gloss Black
- Oil Rub. Bronze

Styles



32" Vintage Iron Round 2 Basket Baluster

Sold in any quantity. 10/pack

32" x 3/4" Vintage series round baluster with 2 baskets designed for a 42" rail height. Install with EZ mounts or vintage round shoes.

- Item # 54132148 - Black Sand (Textured)
- Item # 660076 - Antique Bronze
- Item # 660070 - Gloss Black
- Item # 660072 - Oil Rubbed Bronze

Please use 2.67 balusters per lineal foot for estimating purposes



Available in:

- Black

Styles



Vintage Round Shoes

Sold in bags of 20. 50/case

Vintage round shoes are decorative baluster connectors for installation of vintage series round balusters. Screws included.

- Item # 659950 - Standard
- Item # 659960 - Stairs





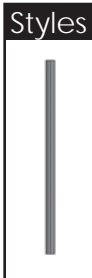
ACTUAL FREIGHT CHARGES APPLY TO ALL FORTRESSTM BALUSTER ORDERS



26"

Available in:

- Black Sand
- Ant. Bronze
- Gloss Black



26" Mega Square Iron Baluster

Sold in packs of 10. 4/case

26" x 3/4" Mega series baluster designed for a 36" rail height. Install with mega EZ mounts or mega shoes.

- Item # 54126018 - Black Sand (Textured)
- Item # 660256 - Antique Bronze
- Item # 660250 - Gloss Black

Please use 2.67 balusters per lineal foot for estimating purposes



26"

Available in:

- Black Sand
- Ant. Bronze
- Gloss Black



26" Mega Square Iron 1 Basket Baluster

Sold in any quantity. 10/pack

26" x 3/4" Mega series baluster with 1 basket designed for a 36" rail height. Install with mega EZ mounts or mega shoes.

- Item # 54126028 - Black Sand (Textured)
- Item # 660266 - Antique Bronze
- Item # 660260 - Gloss Black

Please use 2.67 balusters per lineal foot for estimating purposes



26"

Available in:

- Black Sand
- Ant. Bronze
- Gloss Black



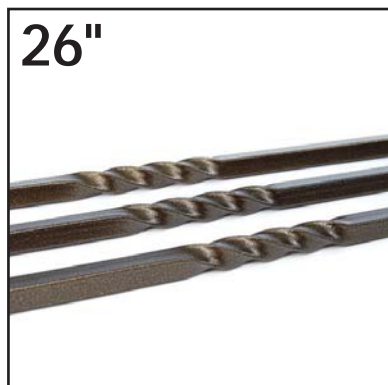
26" Mega Square Iron 2 Basket Baluster

Sold in any quantity. 10/pack

26" x 3/4" Mega series baluster with 2 baskets designed for a 36" rail height. Install with mega EZ mounts or mega shoes.

- Item # 54126038 - Black Sand (Textured)
- Item # 660276 - Antique Bronze
- Item # 660270 - Gloss Black

Please use 2.67 balusters per lineal foot for estimating purposes



26"

Available in:

- Black Sand
- Ant. Bronze
- Gloss Black



26" Mega Square Iron 1 Twist Baluster

Sold in packs of 10.

26" x 3/4" Mega series baluster with 1 twist designed for a 36" rail height. Install with mega EZ mounts or mega shoes.

- Item # 54126048 - Black Sand (Textured)
- Item # 660286 - Antique Bronze
- Item # 660280 - Gloss Black

Please use 2.67 balusters per lineal foot for estimating purposes



ACTUAL FREIGHT CHARGES APPLY TO ALL FORTRESS™ BALUSTER ORDERS



26"

Available in:

- Black Sand
- Ant. Bronze
- Gloss Black

Styles



26" Mega Square Iron 2 Twist Baluster

Sold in packs of 10.

26" x 3/4" Mega series baluster with 2 twists designed for a 36" rail height. Install with mega EZ mounts or mega shoes.

- Item # 54126058 - Black Sand (Textured)
- Item # 660296 - Antique Bronze
- Item # 660290 - Gloss Black

Please use 2.67 balusters per lineal foot for estimating purposes

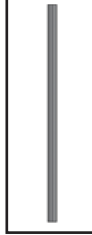


32"

Available in:

- Black Sand
- Ant. Bronze
- Gloss Black

Styles



32" Mega Square Iron Baluster

Sold in packs of 10. 4/case

32" x 3/4" Mega series baluster designed for a 42" rail height. Install with mega EZ mounts or mega shoes.

- Item # 54132018 - Black Sand (Textured)
- Item # 660156 - Antique Bronze
- Item # 660150 - Gloss Black

Please use 2.67 balusters per lineal foot for estimating purposes



32"

Available in:

- Black Sand
- Ant. Bronze
- Gloss Black

Styles



32" Mega Square Iron 1 Basket Baluster

Sold in any quantity. 10/pack

32" x 3/4" Mega series baluster with 1 basket designed for a 42" rail height. Install with mega EZ mounts or mega shoes.

- Item # 54132028 - Black Sand (Textured)
- Item # 660166 - Antique Bronze
- Item # 660160 - Gloss Black

Please use 2.67 balusters per lineal foot for estimating purposes



32"

Available in:

- Black Sand
- Ant. Bronze
- Gloss Black

Styles



32" Mega Square Iron 2 Basket Baluster

Sold in any quantity. 10/pack

32" x 3/4" Mega series baluster with 2 baskets designed for a 42" rail height. Install with mega EZ mounts or mega shoes.

- Item # 54132038 - Black Sand (Textured)
- Item # 660176 - Antique Bronze
- Item # 660170 - Gloss Black

Please use 2.67 balusters per lineal foot for estimating purposes



ACTUAL FREIGHT CHARGES APPLY TO ALL FORTRESS[™] BALUSTER ORDERS



32"

Available in:

- Black Sand
- Ant. Bronze
- Gloss Black

Styles



32" Mega Square Iron 1 Twist Baluster

Sold in packs of 10.

32" x 3/4" Mega series baluster with 1 twist designed for a 42" rail height. Install with mega EZ mounts or mega shoes.

- Item # 54132048 - Black Sand (Textured)
- Item # 660186 - Antique Bronze
- Item # 660180 - Gloss Black

Please use 2.67 balusters per lineal foot for estimating purposes

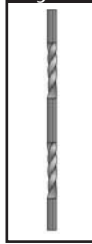


32"

Available in:

- Black Sand
- Ant. Bronze
- Gloss Black

Styles



32" Mega Square Iron 2 Twist Baluster

Sold in packs of 10.

32" x 3/4" Mega series baluster with 2 twists designed for a 42" rail height. Install with mega EZ mounts or mega shoes.

- Item # 54132058 - Black Sand (Textured)
- Item # 660196 - Antique Bronze
- Item # 660190 - Gloss Black

Please use 2.67 balusters per lineal foot for estimating purposes



Available in:

- Black

Styles



Mega EZ Mounts

Sold in bags of 20. 50/case

Mega EZ mounts are for installation of mega series square balusters. Screws included.

- Item # 640053 - Standard
- Item # 640054 - Stairs



Available in:

- Black

Styles



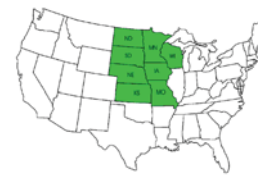
Mega Shoes

Sold in bags of 20. 50/case

Mega shoes are decorative baluster connectors for installation of mega square balusters. Screws included.

- Item # 659970 - Standard
- Item # 659980 - Stairs





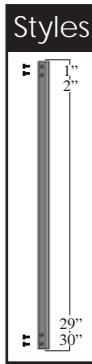
ACTUAL FREIGHT CHARGES APPLY TO ALL FORTRESSTM BALUSTER ORDERS



31"

Available in:

- Black Sand
- Ant. Bronze
- Gloss Black
- Oil Rub. Bronze



31" Vintage Iron Square Baluster Face Mount

Sold in packs of 10. 4/case

31" x 5/8" Vintage series square baluster for face mount installation to achieve a total railing height of 36". Screws included.

- Item # 54131018 - Black Sand (Textured)
- Item # 660106 - Antique Bronze
- Item # 660100 - Gloss Black
- Item # 660102 - Oil Rubbed Bronze

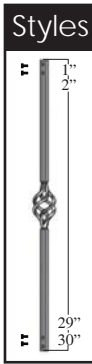
Please use 2.67 balusters per lineal foot for estimating purposes



31"

Available in:

- Black Sand
- Ant. Bronze
- Gloss Black
- Oil Rub. Bronze



31" Vintage Iron Square 1 Basket Baluster Face Mount

Sold in packs of 10.

31" x 5/8" Vintage series square baluster with 1 basket for face mount installation to achieve a total railing height of 36". Screws included.

- Item # 54131028 - Black Sand (Textured)
- Item # 660116 - Antique Bronze
- Item # 660110 - Gloss Black
- Item # 660112 - Oil Rubbed Bronze

Please use 2.67 balusters per lineal foot for estimating purposes



31"

Available in:

- Black Sand
- Ant. Bronze
- Gloss Black
- Oil Rub. Bronze



31" Vintage Iron Square 2 Basket Baluster Face Mount

Sold in packs of 10.

31" x 5/8" Vintage series square baluster with 2 baskets for face mount installation to achieve a total railing height of 36". Screws included.

- Item # 54131038 - Black Sand (Textured)
- Item # 660126 - Antique Bronze
- Item # 660120 - Gloss Black
- Item # 660122 - Oil Rubbed Bronze

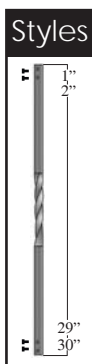
Please use 2.67 balusters per lineal foot for estimating purposes



31"

Available in:

- Black Sand
- Ant. Bronze
- Gloss Black



31" Vintage Iron Square 1 Twist Baluster Face Mount

Sold in packs of 10.

31" x 5/8" Vintage series square baluster with 1 twist for face mount installation to achieve a total railing height of 36". Screws included.

- Item # 54131048 - Black Sand (Textured)
- Item # 660136 - Antique Bronze
- Item # 660130 - Gloss Black

Please use 2.67 balusters per lineal foot for estimating purposes



ACTUAL FREIGHT CHARGES APPLY TO ALL FORTRESS™ BALUSTER ORDERS

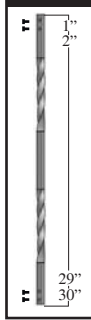


31"

Available in:

- Black Sand
- Ant. Bronze
- Gloss Black

Styles



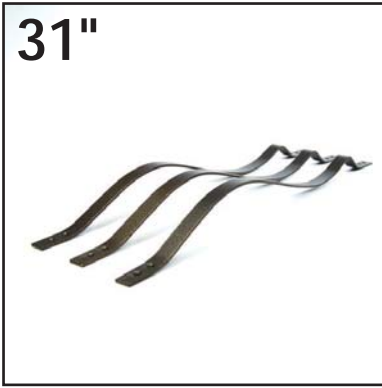
31" Vintage Iron Square 2 Twist Baluster
Face Mount

Sold in packs of 10.

31" x 5/8" Vintage series square baluster with 2 twists for face mount installation to achieve a total railing height of 36". Screws included.

- Item # 54131058 - Black Sand (Textured)
- Item # 660146 - Antique Bronze
- Item # 660140 - Gloss Black

Please use 2.67 balusters per lineal foot for estimating purposes



31"

Available in:

- Black Sand
- Ant. Bronze
- Gloss Black

Styles



31" Vienna Iron Belly Baluster
Face Mount

Sold in packs of 10. 4/case

31" x 1" Vienna series belly baluster designed for face mount installation to achieve a total railing height of 36". Screws included.

- Item # 54731008 - Black Sand (Textured)
- Item # 660406 - Antique Bronze
- Item # 660400 - Gloss Black

Please use 2.5 balusters per lineal foot for estimating purposes

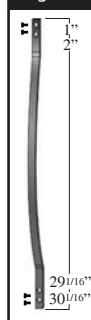


31"

Available in:

- Black Sand
- Ant. Bronze
- Gloss Black

Styles



31" Vienna Iron Bow Baluster
Face Mount

Sold in packs of 10. 4/case

31" x 1" Vienna series bow baluster designed for face mount installation to achieve a total railing height of 36". Screws included.

- Item # 54731018 - Black Sand (Textured)
- Item # 660436 - Antique Bronze
- Item # 660430 - Gloss Black

Please use 2.5 balusters per lineal foot for estimating purposes

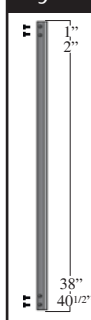


42"

Available in:

- Black Sand
- Ant. Bronze
- Gloss Black
- Oil Rub. Bronze

Styles



42" Vintage Iron Square Baluster
Face Mount

Sold in packs of 10. 4/case

42" x 5/8" Vintage series square baluster for face mount installation to achieve a total railing height of 36" when attached to fascia. Screws included.

- Item # 54142018 - Black Sand (Textured)
- Item # 660206 - Antique Bronze
- Item # 660200 - Gloss Black
- Item # 660202 - Oil Rubbed Bronze

Please use 2.67 balusters per lineal foot for estimating purposes



ACTUAL FREIGHT CHARGES APPLY TO ALL FORTRESSTM BALUSTER ORDERS

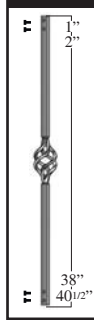


42"

Available in:

- Black Sand
- Ant. Bronze
- Gloss Black

Styles

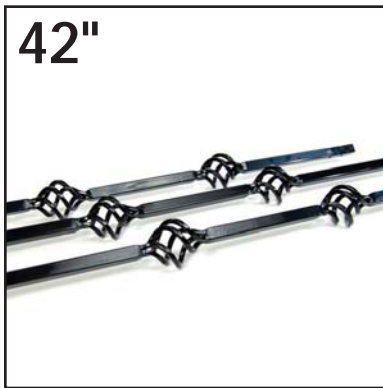


42" Vintage Iron Square 1 Basket Baluster Face Mount Sold in packs of 10.

42" x 5/8" Vintage series square baluster with 1 basket for face mount installation to achieve a total railing height of 36" when attached to fascia. Screws included.

- Item # 54142118 - Black Sand (Textured)
- Item # 660216 - Antique Bronze
- Item # 660210 - Gloss Black

Please use 2.67 balusters per lineal foot for estimating purposes



42"

Available in:

- Black Sand
- Ant. Bronze
- Gloss Black

Styles

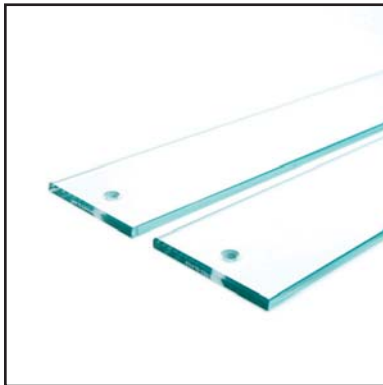


42" Vintage Iron Square 2 Basket Baluster Face Mount Sold in packs of 10.

42" x 5/8" Vintage series square baluster with 2 baskets for face mount installation to achieve a total railing height of 36" when attached to fascia. Screws included.

- Item # 54142128 - Black Sand (Textured)
- Item # 660226 - Antique Bronze
- Item # 660220 - Gloss Black

Please use 2.67 balusters per lineal foot for estimating purposes



Available in:

- Clear

Styles



26" & 34" Pure View Glass - Standard

Sold in packs of 5. 3/case

26" & 34" Pure View 5/16" tempered glass balusters that are 3-3/4" wide for straight installations. Fasteners not included. Reference pg. 32 for mounting options.

- Item # 660500 - 26" length
- Item # 660520 - 34" length
- Item # 650032 - Screws with Washer (10/bag)

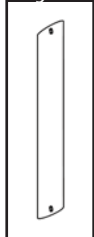
Please use 1.5 balusters per lineal foot for estimating purposes



Available in:

- Clear

Styles



26" & 34" Pure View Glass - Stairs

Sold in packs of 5. 3/case

26" & 34" Pure View 5/16" tempered glass balusters that are 3-3/4" wide for stair installations. Fasteners not included. Reference pg. 32 for mounting options.

- Item # 660510 - 26" length
- Item # 660530 - 34" length
- Item # 650032 - Screws with Washer (10/bag)

Please use 1.5 balusters per lineal foot for estimating purposes



ACTUAL FREIGHT CHARGES APPLY TO ALL FORTRESSTM BALUSTER ORDERS



Available in:
Black

Pure View Nylon Mounting Shoe - Standard

Sold in bags of 10. 20/case

Pure View nylon mounting shoe is used for surface mount installation of Pure View glass balusters for straight applications. Screws included.

Item # 660685



Available in:
Black

Pure View Nylon Mounting Shoe - Stairs

Sold in bags of 10. 20/case

Pure View nylon mounting shoe is used for surface mount installation of Pure View glass balusters for stair applications. Compatible for stair angles between 25-37 degrees. Screws included.

Item # 660687



Available in:
Metal

1-1/2" Glass Baluster Clip

Sold in bags of 10. 25/case

Pure View mounting clip is used for surface mount installation of Pure View glass balusters for level applications. Includes hardware and rubber pad to cushion the glass.

Item # 660680



Available in:
Black

PureView Screw & Washer

Sold in bags of 10.

Pure View screw & washer for sandwich method installation of Pure View glass balusters for straight and stair applications. Screws are ordered separately. Includes enough screws to do 5 glass balusters.

Item # 650032

